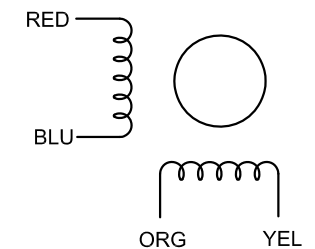


SPECIFICATION	CONNECTION	BIPOLAR
AMPS/PHASE		1.00
RESISTANCE/PHASE(Ohms)@25°C		2.80±10%
INDUCTANCE/PHASE(mH)@1KHz		2.40±20%
HOLDING TORQUE(Nm)[lb-in]		0.09[0.23]
STEP ANGLE(°)		1.80±5.00%
DYNAMIC AXIAL LOAD(N)		2.40
DYNAMIC RADIAL LOAD(N)@SHAFT LENGTH 20 mm		5.00
ROTOR INERTIA(g-cm <sup>2</sup> )		-
WEIGHT(Kg)[lb]		0.10[0.11]
RELIABILITY:MTBF 6000 HOURS OR MORE @24V/300RPM		
TEMPERATURE RISE:MAX.80°C (MOTOR STANDSTILL;FOR 2PHASE ENERGIZED)		
AMBIENT TEMPERATURE -20°C~50°C[-4°F~122°F]		
INSULATION CLASS B 130°C[266°F]		
DIELECTRIC STRENGTH 500VAC FOR 1MIN.(BETWEEN THE MOTOR COILS AND THE MOTOR CASE)		

TYPE OF CONNECTION (EXTERN)		MOTOR	
PIN NO	BIPOLAR	LEADS	WINDING
1	A —	RED	
2	A\ —	BLU	
3	B —	ORG	
4	B\ —	YEL	

FULL STEP 2 PHASE-Ex. ,  
WHEN FACING MOUNTING END (X)

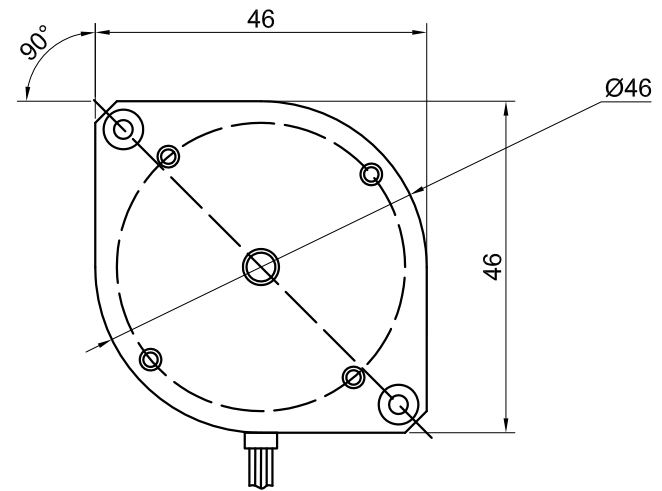
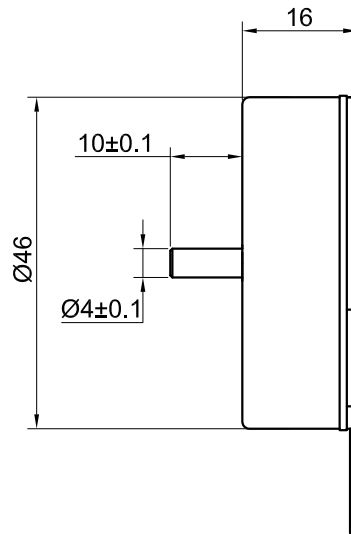
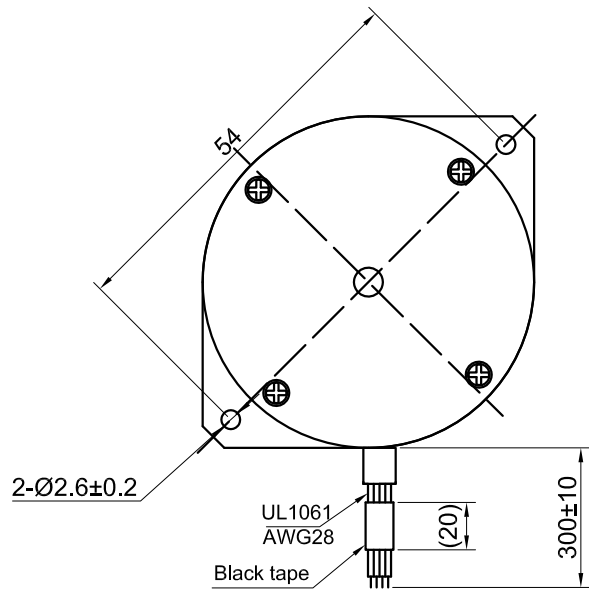
STEP	A	B	A\	B\		CCW
1	+	+	-	-		
2	-	+	+	-		
3	-	-	+	+		
4	+	-	-	+		



APVD		3.4.2019
CHKD		
1:1.5	DRN	
SCALE	SIGNATURE	DATE

**STEPPER MOTOR**

**18HR06-1004S**

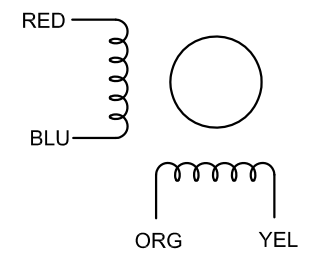


SPECIFICATION	CONNECTION	BIPOLAR
AMPS/PHASE		1.00
RESISTANCE/PHASE(Ohms)@25°C		2.80±10%
INDUCTANCE/PHASE(mH)@1KHz		2.40±20%
HOLDING TORQUE(Nm)[lb-in]		0.09[0.23]
STEP ANGLE(°)		1.80±5.00%
DYNAMIC AXIAL LOAD(N)		2.40
DYNAMIC RADIAL LOAD(N)@SHAFT LENGTH 20 mm		5.00
ROTOR INERTIA(g-cm <sup>2</sup> )		-
WEIGHT(Kg)[lb]		0.10[0.11]
RELIABILITY:MTBF 6000 HOURS OR MORE @24V/300RPM		
TEMPERATURE RISE:MAX.80°C (MOTOR STANDSTILL;FOR 2PHASE ENERGIZED)		
AMBIENT TEMPERATURE -20°C~50°C[-4°F~122°F]		
INSULATION CLASS B 130°C[266°F]		
DIELECTRIC STRENGTH 500VAC FOR 1MIN.(BETWEEN THE MOTOR COILS AND THE MOTOR CASE)		

TYPE OF CONNECTION (EXTERN)		MOTOR	
PIN NO	BIPOLAR	LEADS	WINDING
1	A —	RED	
2	A\ —	BLU	
3	B —	ORG	
4	B\ —	YEL	

FULL STEP 2 PHASE-Ex. ,  
WHEN FACING MOUNTING END (X)

STEP	A	B	A\	B\		CCW
1	+	+	-	-		
2	-	+	+	-		
3	-	-	+	+		
4	+	-	-	+		



APVD		3.4.2019
CHKD		
1:1.5	DRN	
SCALE	SIGNATURE	DATE

# STEPPER MOTOR

18HR06-1004S