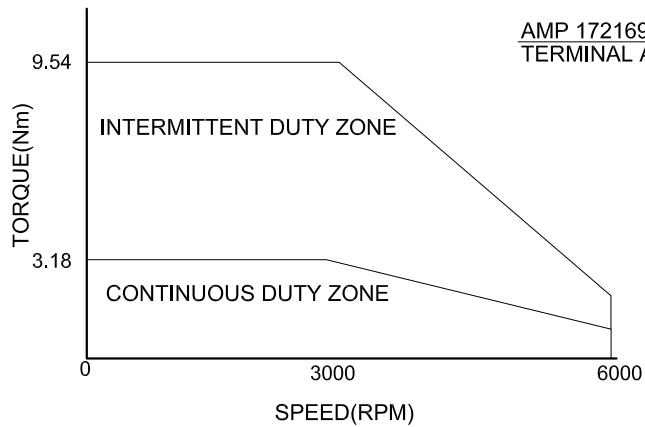


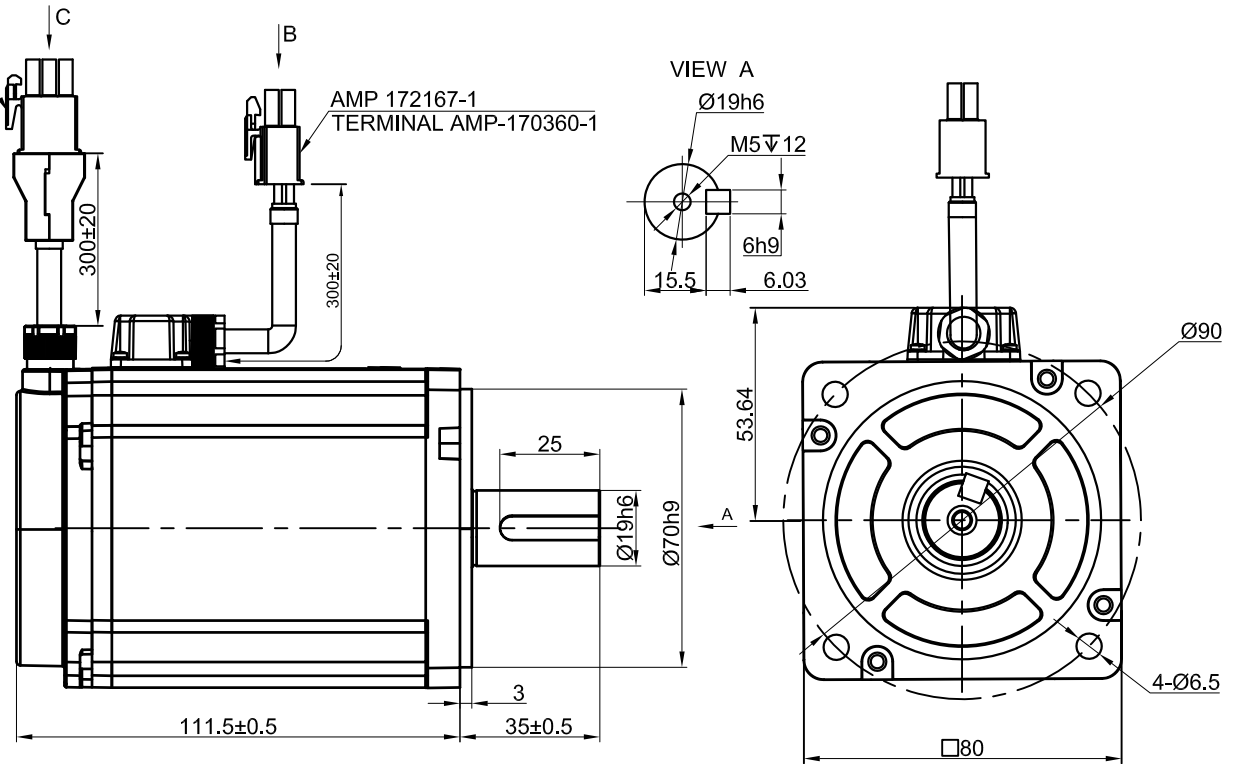
SPEED - TORQUE CURVE



AMP 172169-1
TERMINAL AMP-170360-1

AMP 172167-1
TERMINAL AMP-170360-1

VIEW A



SPECIFICATION	VALUE
RATED VOLTAGE(VAC)	220
LINE COUNTER POTENTIAL(V/1000r/min)	36
RATED POWER(W)	1000
RATED TORQUE(Nm)	3.18
PEAK TORQUE(Nm)	9.54
RATED SPEED(RPM)	3000
PEAK SPEED(RPM)	6000
RATED CURRENT(Amp)	5.7
PEAK CURRENT(Amp)	17.1
NUMBER OF STATOR SLOTS(S)	12
INSULATION CLASS	F
RESISTANCE(Ω)	1.1
INDUCTANCE(mH)	0.64
INERTIA(Kg·m ² ·10 ⁻⁴)	2
POLES	5
ENCODER TYPE	17bit inc
IP RATING	IP65

VIEW B	WIRING DETAILS OF POWER CABLE CONNECTOR			
	PIN No.	1	2	3
DESCRIPTION	U	V	W	PE
COLOR	RED	WHT	BLK	YEL/GRE

VIEW C	WIRING DETAILS OF ENCODER CABLE CONNECTOR								
	PIN No.	1	2	3	4	5	6	7	8
DESCRIPTION	FG	+5V	0V	—	—	—	SD+	—	SD-
COLOR	SHIELD	RED	BLK	—	—	—	BLU	—	YEL



	APVD	1.11.2023
	CHKD	
2:1	DRN	
SCALE	SIGNATURE	DATE

AC SERVO MOTOR
E6M80-1000H2A2-M17S