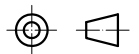
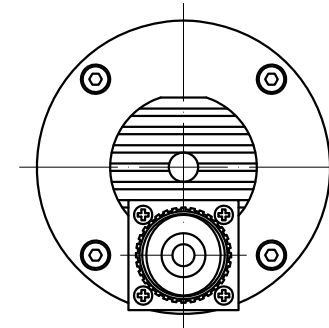


| SPECIFICATION | VALUE |
|---------------------|-----------------|
| POWER (Kw) | 2.2 |
| VOLTAGE (VAC) | 110 |
| RATED CURRENT (A) | 5 |
| MAXIMUM SPEED (RPM) | 24000 |
| FREQUENCY (Hz) | 400 |
| NUT MODEL | ER20 |
| COLLET (mm) | Ø6、Ø6.35 |
| RUNOUT OFF (mm) | LESS THAN 0.005 |
| BEARINGS | 2x7005 + 2x7002 |
| COOLING | AIR COOLED |
| MATERIAL | STAINLESS STEEL |
| LUBRICATION | GREASE |
| WEIGHT (Kg) [lb] | 4.75 [10.47] |

P VIEW



| | | | |
|-------|-----------|--|----------|
| mm | APVD | | 5.5.2019 |
| UNIT | CHKD | | |
| 2:1 | DRN | | |
| SCALE | SIGNATURE | | DATE |

SPINDLE MOTOR

GDZ80F-2.2A4